

STREAMLINED FLOW VALVE

Outside screw PN 40 with bellows
Maintenance free

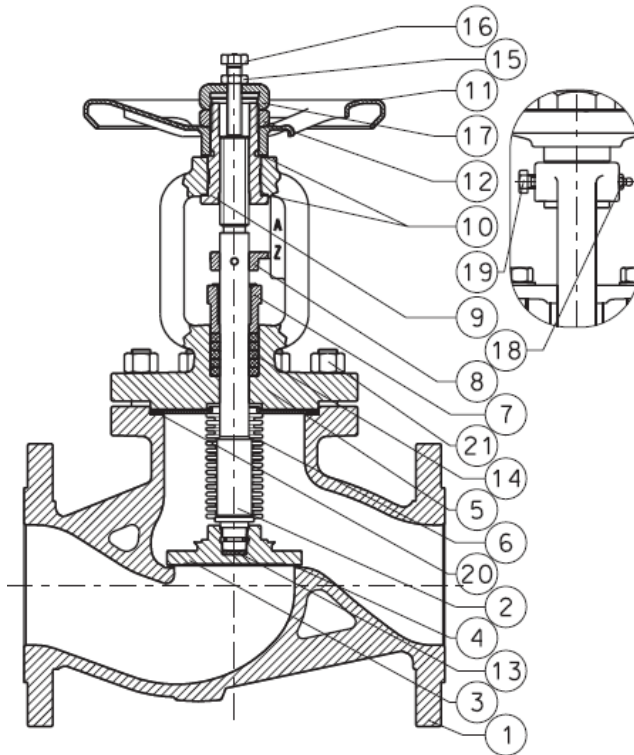
ST 2700

Description

Carbon steel body and yoke. Stainless steel stem, bellows and sealing seats. Graphite + stainless steel gaskets. Carbon steel handwheel. The valve is standard provided by: position indicator, safety backseat on the stem, rise limiter, lubricator, locking set screw. Connection flanges dressed and drilled according to EN 1092-1 PN 40 with raised face.



Construction



POS	PART NAME	MATERIAL
1	Body DN 15 - 50	P250GH Steel
1	Body DN 65 - 250	GP 240GH+N Steel
2	Stem	Stainless Steel
3	Disc DN 15 - 100	Stainless Steel
3	Disc DN 125 - 250	Steel + St. Steel
4	Seat	Stainless Steel
5	Yoke DN 15 - 50	P250GH Steel
5	Yoke DN 65 - 250	GP240GH+N Steel
6	Bellows	Stainless Steel
7	Gland	Steel
8	Steamguide - Index	Steel
9	Bush DN 15 - 200	Steel
9	Bush DN 250	Nodular Cast Iron
10	Antifriction Bearings	Tempered Steel
11	Handwheel	Steel
12	Stop Handwheel Nut	Steel
13	Antifriction Disc	Stainless Steel
14	Packing	Carbo-Graphite
15	Regulating Nut	Zinc Plated Steel
16	Rise Limiter	Zinc Plated Steel
17	Cap	Steel
18	Lubricator	Zinc Plated Steel
19	Stop Screw	Zinc Plated Steel
20	Gaskets	Graphite + St. Steel
21	Nut	Steel

