

BALL VALVE

2-piece flanged end full port ball valve

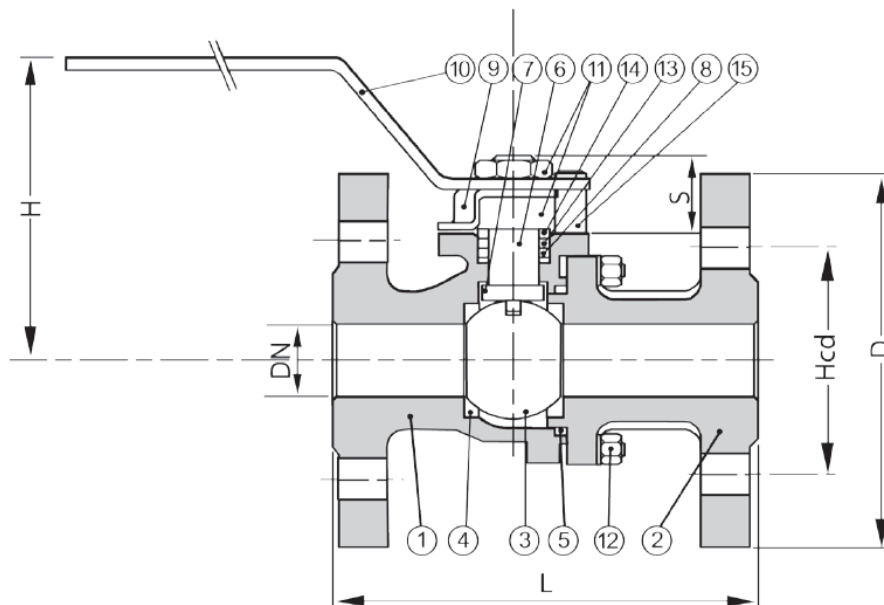
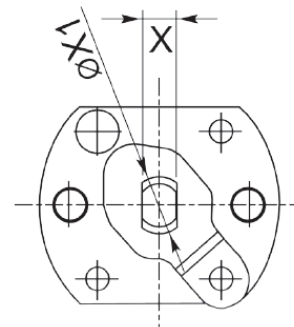
ST 2150

Description

Ball valve suited for liquids and steam.
Cylindrical full bore with floating ball valve.
Lockup lever.



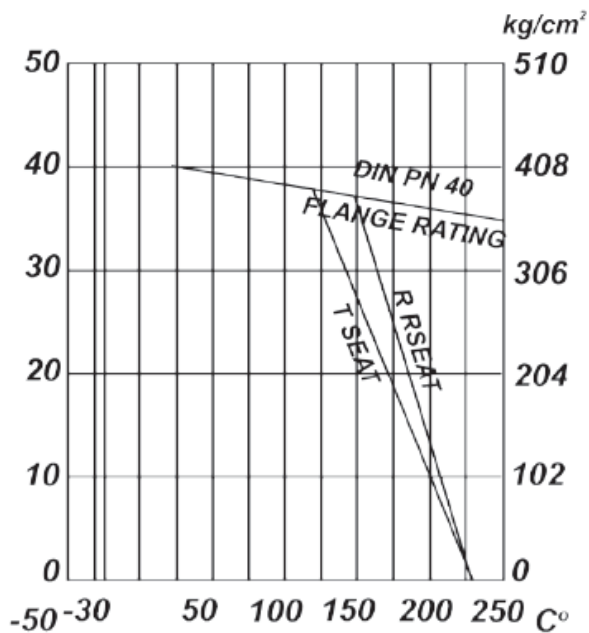
No.	Part	Material
1	Body	A216 WCB
2	Cap	A216 WCB
3	Ball	A216 WCB
4	Ball set	Carbon filled PTFE
5	Joint gasket	Carbon filled PTFE
6	Stem	AISI 316
7	Thrust washer	Carbon filled PTFE
8	Stem packing	Carbon filled PTFE
9	Stopper	AISI 304
10	Handle	AISI 304
11	Handle nut	AISI 304
12	Bolt and nut	AISI 304
13	Stem ring	AISI 304
14	Belleville washer	AISI 301
15	Stop pin	AISI 304



Dimensions

DN	D	Hcd	L	H	S	X	X1
15	95	65	130	74	19	8.7	13.8
20	105	75	150	77	24	8.7	13.8
25	115	85	160	83	24	10	15.8
32	140	100	180	88	29	10	15.8
40	150	110	200	123	31	12	19.6
50	165	125	230	132	32	12	19.6
65	185	145	290	157	31	12	19.6
80	200	160	310	166	48	16	26.7
100	235	190	350	182	48	16	26.7

Pressure and temperature



Order no.	
DN	Product No.
15	2150
20	2151
25	2152
32	2153
40	2154
50	2155
65	2156
80	2157
100	2158

Maintenance

The valve is maintenance free.

The valve should be run regularly for best effect.