



SURPLUSSING VALVE FOR STEAM

MODEL **SP-COSR-16** DUCTILE CAST IRON

Features

Pilot operated surplussing valve for the control of primary steam pressure. Ideal for prioritising the flow of steam to critical processes and for controlling the pressure of “flash steam” recovery systems.

1. Unique design of piston ensures high accuracy of control.
2. All major internal components made of stainless steel.
3. Inbuilt strainer to protect pilot valve.
4. Internal pressure sensing channel makes external sensing line unnecessary.



Specifications

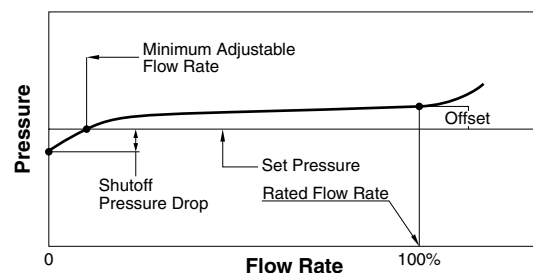
Model	SP-COSR-16	
Connection	Flanged	
Size	DN 15, 20, 25, 32, 40, 50	
Body Material	Ductile Cast Iron (GGG40.3)	
Maximum Operating Pressure (barg)	PMO	16
Maximum Operating Temperature (°C)	TMO	220
Minimum Adjustable Flow Rate	max. 5% of Rated Flow Rate	
Pressure Setting Range (barg)	1 – 10	
Valve Seat Leak Rate	max. 0.05% of Rated Flow Rate	
Shutoff Pressure (barg)	max. 0.2	
Offset (bar)	max. 0.3	

PRESSURE SHELL DESIGN CONDITIONS (NOT OPERATING CONDITIONS): Maximum Allowable Pressure (barg) PMA : 21 1 bar = 0.1 MPa
Maximum Allowable Temperature (°C) TMA : 220



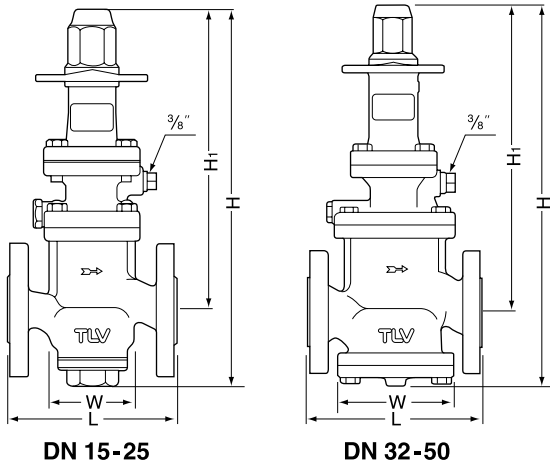
To avoid abnormal operation, accidents or serious injury, DO NOT use this product outside of the specification range. Local regulations may restrict the use of this product to below the conditions quoted.

Flow Characteristics



Dimensions

● **SP-COSR-16** Flanged

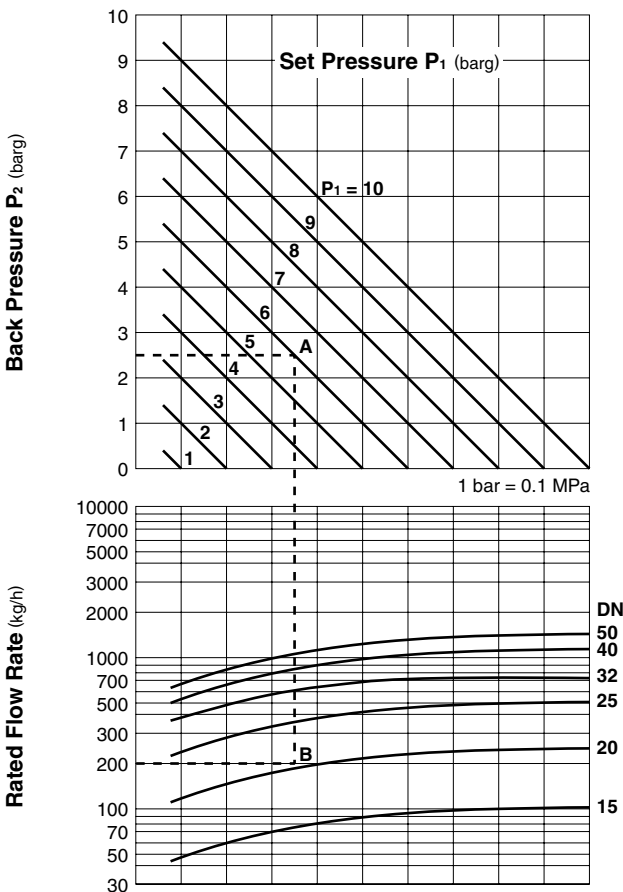


SP-COSR-16 Flanged (mm)

DN	L		H	H ₁	W	Weight (kg)
	DIN 2501	PN25/40				
15	130		392	320	93	10
20	150			317		11
25	160					13
32	180		427	337	126	19
40	200					20
50	230		447	350	157	27

Other standards available, but length and weight may vary

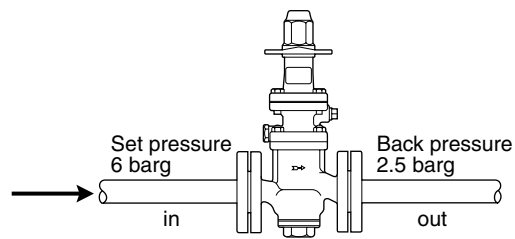
Sizing Charts



Sizing Example

For back pressure of 2.5 barg, set pressure of 6 barg and saturated steam flow rate of 200 kg/h, select an appropriate size.

Locate intersecting point A of 6 barg and 2.5 barg in the upper graph and go down until 200 kg/h, point B in the lower graph is reached. Since point B is located between DN 20 and DN 25, the larger size, DN 25 should be chosen.



Manufacturer

ISO 9001/ISO 14001

TLV® CO., LTD.
Kakogawa, Japan

is approved by LRQA Ltd. to ISO 9001/14001

