



BALANCED PRESSURE THERMOSTATIC STEAM TRAP

MODEL LV21 STAINLESS STEEL

BALANCED PRESSURE THERMOSTATIC TRAP WITH "FAIL OPEN" DESIGN

Features

All stainless steel thermostatic trap suitable for applications where the condensate load is relatively small i.e. tracing, vessels and heaters. Preferably for vertical installation.

1. "Fail open" feature.
2. Rugged, yet light construction, withstands superheat and water hammer.
3. Cyclic operation with fixed subcooling throughout entire pressure range.
4. Outstanding air venting capability.
5. Compact, yet high capacity.
6. Easy to maintain and easy to clean.
7. Hardened stainless steel valve surfaces.
8. Built-in screen with large surface area.

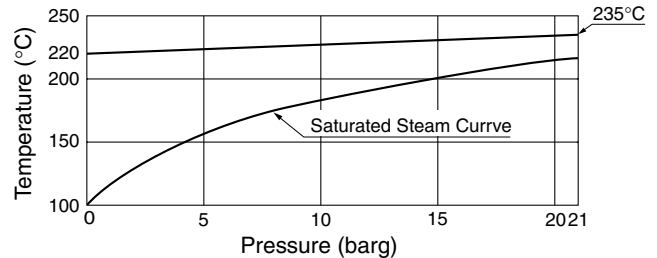


Specifications

| | |
|-----------------------------------|----------------------------|
| Model | LV21 |
| Connection | Screwed |
| Size | 1/4", 3/8", 1/2" |
| Max. Operating Press. (barg) PMO | 21 |
| Min. Operating Press. (barg) | 0.1 |
| Maximum Back Pressure | 90% of Inlet Pressure |
| Max. Operating Temp. (°C) TMO | see graph at right |
| Subcooling of X-element Fill (°C) | up to 6 (option: up to 22) |
| Type of X-element | B (option: T) |

1 bar = 0.1 MPa

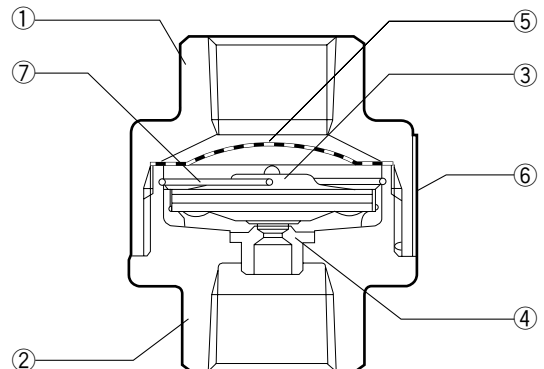
PRESSURE SHELL DESIGN CONDITIONS (NOT OPERATING CONDITIONS):
 Maximum Allowable Pressure (barg) PMA: 63
 Maximum Allowable Temperature (°C) TMA: 425



To avoid abnormal operation, accidents or serious injury, DO NOT use this product outside of the specification range. Local regulations may restrict the use of this product to below the conditions quoted.

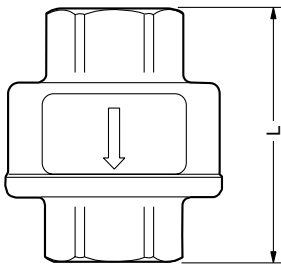
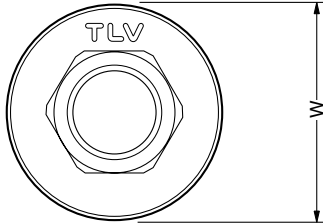
| No. | Description | Material | DIN* | ASTM/AISI* |
|-----|-----------------|-----------------------------------|--------|------------|
| ① | Body Upper Part | Cast Stainless Steel A351 Gr. CF8 | 1.4312 | — |
| ② | Body Lower Part | Cast Stainless Steel A351 Gr. CF8 | 1.4312 | — |
| ③ | X-element | Stainless Steel | — | — |
| ④ | Valve Seat | Stainless Steel SUS630 | 1.4542 | AISI630 |
| ⑤ | Screen | Stainless Steel SUS304 | 1.4301 | AISI304 |
| ⑥ | Nameplate | Stainless Steel SUS304 | 1.4301 | AISI304 |
| ⑦ | Spring Clip | Stainless Steel SUS304 | 1.4301 | AISI304 |

* Equivalent materials



Dimensions

● **LV21** Screwed

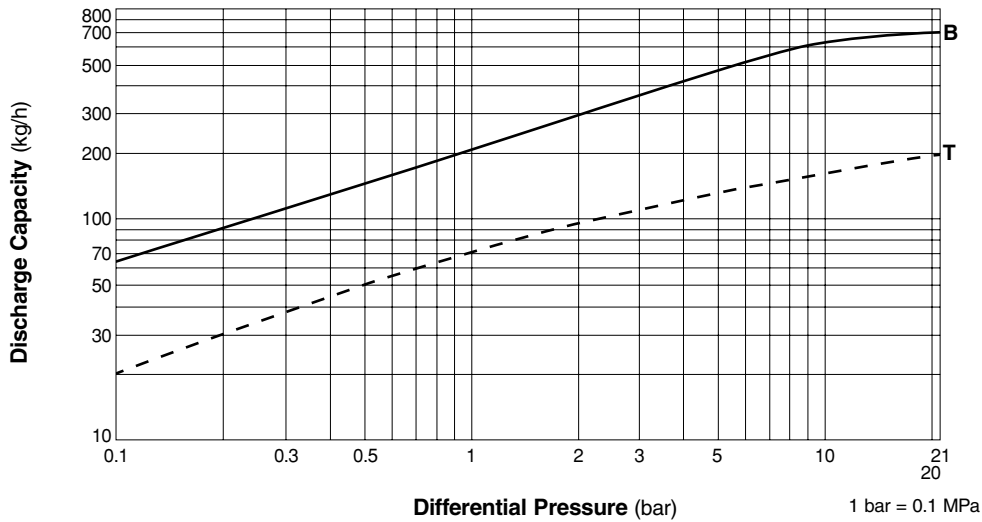


LV21 Screwed* (mm)

| Size | L | φ W | Weight (kg) |
|------|----|-----|-------------|
| 1/4" | 55 | 47 | 0.4 |
| 3/8" | | | |
| 1/2" | | | |

* BSP DIN 2999, other standards available

Discharge Capacity



1. Differential pressure is the difference between the inlet and outlet pressure of the trap.
2. Recommended safety factor: 2.

Manufacturer

ISO 9001/ISO 14001

TLV® CO., LTD.
Kakogawa, Japan

is approved by LRQA Ltd. to ISO 9001/14001

