



BALANCED PRESSURE THERMOSTATIC STEAM TRAP

MODEL LV13L BRASS

Features

Balanced pressure thermostatic trap suitable for small process, tracing, vessels and heaters.

1. "Fail open" feature will not hold back condensate in the steam space.
2. Multi-diaphragm construction for long service life.
3. Cyclic operation with fixed subcooling throughout entire pressure range.
4. Outstanding air venting capability.
5. Compact, yet high capacity.
6. Easy to maintain and easy to clean.
7. Hardened stainless steel "flat valve" plus "cone ridge seat" ensure tight shutoff.
8. Built-in screen with large surface area.



Specifications

Model	LV13L
Connection	Screwed
Size	1/2", 3/4"
Maximum Operating Pressure (barg) PMO	13
Minimum Operating Pressure (barg)	0.1
Maximum Back Pressure	90% of Inlet Pressure
Maximum Operating Temperature (°C) TMO	200
Subcooling of X-element Fill (°C)	up to 6
Type of X-element	B

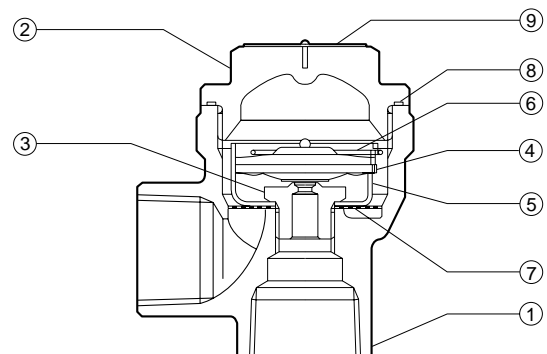
PRESSURE SHELL DESIGN CONDITIONS (**NOT** OPERATING CONDITIONS): Maximum Allowable Pressure (barg) PMA: 16 1 bar = 0.1 MPa
Maximum Allowable Temperature (°C) TMA: 220



To avoid abnormal operation, accidents or serious injury, **DO NOT** use this product outside of the specification range. Local regulations may restrict the use of this product to below the conditions quoted.

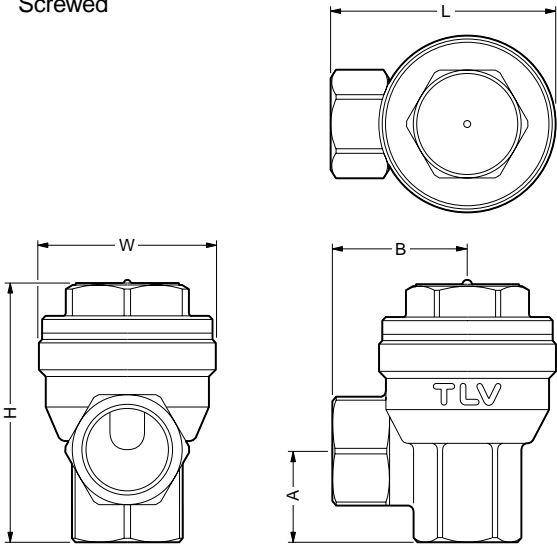
No.	Description	Material*	DIN	ASTM/AISI
①	Body	Brass C3771	2.0380	B124 C37700
②	Cover	Brass C3771	2.0380	B124 C37700
③ ^R	Valve Seat	Stainless Steel SUS420F	1.4028	AISI420F
④ ^R	X-element	Stainless Steel	—	—
⑤ ^R	X-element Guide	Stainless Steel SUS304	1.4301	AISI304
⑥ ^R	Spring Clip	Stainless Steel SUS304	1.4301	AISI304
⑦ ^R	Screen	Stainless Steel SUS304	1.4301	AISI304
⑧ ^R	Cover Gasket	Fluorine Resin PTFE	—	—
⑨	Nameplate	Stainless Steel SUS304	1.4301	AISI304

* Equivalent materials
Replacement kits available: (R) repair parts



Dimensions

● **LV13L**
Screwed

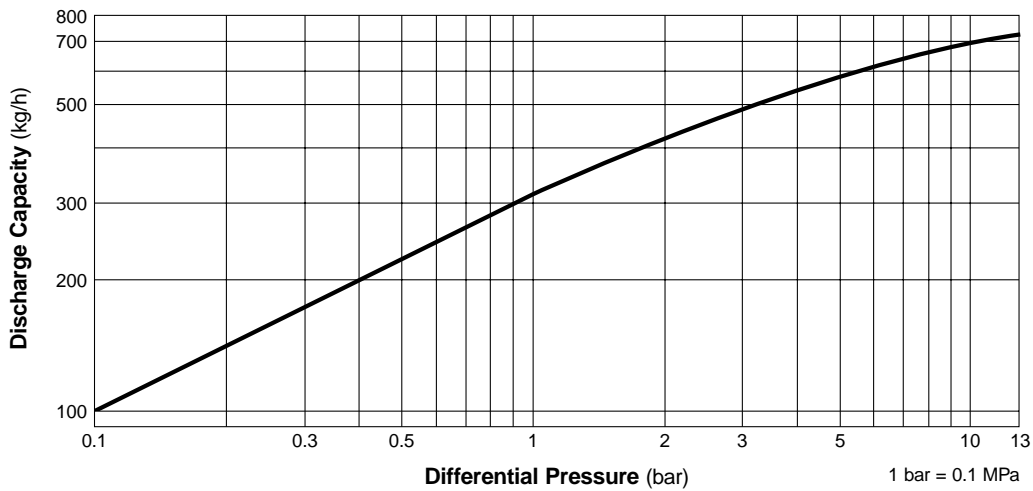


LV13L Screwed* (mm)

Size	L	H	φW	A	B	Weight (kg)
1/2"	64	70	52	20	38	0.5
3/4"	66	77		27	40	

* BSP DIN 2999, other standards available

Discharge Capacity



1. Differential pressure is the difference between the inlet and outlet pressure of the trap.
2. Recommended safety factor: at least 2.

Manufacturer

ISO 9001/ISO 14001

TLV® CO., LTD.
Kakogawa, Japan

is approved by LRQA Ltd. to ISO 9001/14001

