



THERMODYNE STEAM TRAP

MODEL HR260A ALLOY STEEL

SUPERCRITICAL SERVICE THERMODYNAMIC DISC TRAP

Features

Air-jacketed disc trap for supercritical service in high pressure steam mains and turbines.

1. Inline replaceable valve module for ease of maintenance and low cost of repair.
2. Lapped disc provides steam-tight seal.
3. Air jacket reduces radiant heat loss to reduce no-load cycling and so extend life.
4. Built-in screen with large surface area for extended trouble-free operation.
5. Hardened working surfaces guarantee long service life.
6. Approved by major power plants worldwide for supercritical steam use.



Specifications

Model		HR260A	
Connection		Socket Welded	Butt Welded
Size		DN 15, 25	DN 15, 25
Maximum Operating Pressure (barg)	PMO	260	
Minimum Operating Pressure (barg)		16	
Maximum Operating Temperature (°C)	TMO	550	
Maximum Back Pressure		50% of Inlet Pressure	

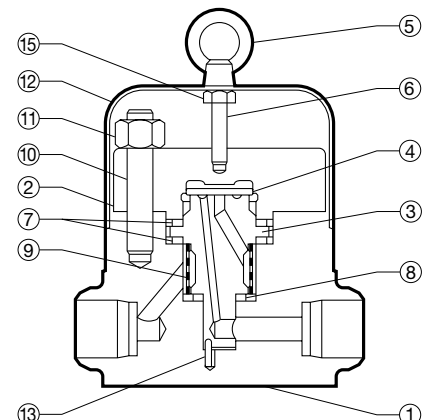
PRESSURE SHELL DESIGN CONDITIONS (**NOT** OPERATING CONDITIONS): Maximum Allowable Pressure (barg) PMA: 260 1 bar = 0.1 MPa
Maximum Allowable Temperature (°C) TMA: 550



CAUTION

To avoid abnormal operation, accidents or serious injury, DO NOT use this product outside of the specification range. Local regulations may restrict the use of this product to below the conditions quoted.

No.	Description	Material	DIN*	ASTM/AISI*
①	Body	Alloy Steel A182 F22 Class3	1.7380	—
② ^R	Cover	Stainless Steel SUS420J2	1.4031	AISI420
③ ^R	Module Valve Seat	Stainless Steel SUS440C	1.4125	AISI440C
④ ^R	Disc	Stainless Steel SUS440C	1.4125	AISI440C
⑤	Eye Nut	Carbon Steel SS400	1.0037	A6
⑥	Spacer	Carbon Steel SS400	1.0037	A6
⑦ ^{MR}	Module Gasket	Graphite/Stainl. Stl. SUS309S+Cb	-/1.4833	-/AISI309S+Cb
⑧ ^{MR}	Module Gasket	Graphite/Stainl. Stl. SUS309S+Cb	-/1.4833	-/AISI309S+Cb
⑨ ^R	Screen outside/inside	Stainless Steel SUS304/430	1.4301/4016	AISI304/430
⑩	Body Bolt	Alloy Steel SNB16	1.7711	A193 Gr. B16
⑪	Cover Nut	Alloy Steel SNB7	1.7225	A193 Gr. B7
⑫	Cap	Carbon Steel SPCC	1.0330	A109
⑬ ^R	Guide Pin	Stainless Steel SUS304	1.4301	AISI304
⑭	Nameplate**	Stainless Steel SUS304	1.4301	AISI304
⑮	Hexagon Nut	Carbon Steel SS400	1.0037	A6

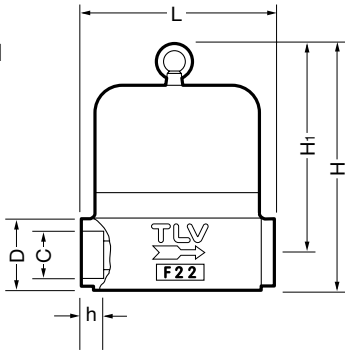


* Equivalent materials ** Not shown

Replacement kits available: (M) maintenance parts, (R) repair parts

Dimensions

- **HR260A**
Socket Welded

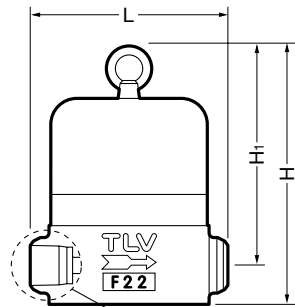


HR260A Socket Welded* (mm)

DN	L	H	H ₁	φD	φC	h	Weight (kg)
15	160	208	179	53.5	21.70	14	18
25					33.80		

* ASME B16.11, other standards available

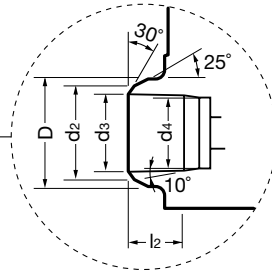
- **HR260A**
Butt Welded



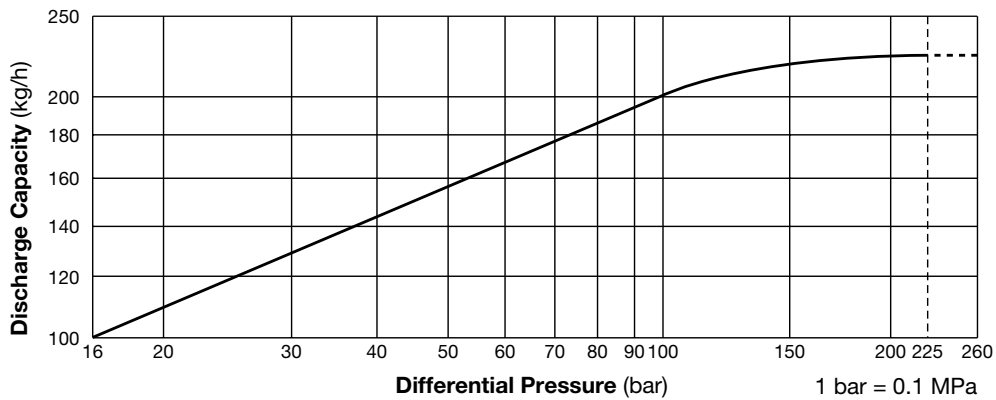
HR260A Butt Welded* (mm)

DN	L	H	H ₁	φD	φd ₂	φd ₃	φd ₄	l ₂	Weight (kg)
15	165	208	179	28	22	16	14	20	18
25				40	35	27	25		

* DIN 3239 Form C (PN250), other standards available



Discharge Capacity



1. Differential pressure is the difference between the inlet and outlet pressure of the trap.
2. Recommended safety factor: at least 2.

Manufacturer **TLV[®] CO., LTD.** ISO 9001/ISO 14001
 Kakogawa, Japan
 is approved by LRQA Ltd. to ISO 9001/14001