



FREE FLOAT STEAM TRAP

MODEL FS5 QuickTrap® STAINLESS STEEL

UNIVERSAL FREE FLOAT TRAP WITH THERMOSTATIC AIR VENTING

Features

A multi-purpose sealed stainless steel free float trap for steam mains, tracers and small-to-medium process applications.

1. Two-bolt flange connector permits trap replacement in minutes without disturbing piping.
2. Universal flange allows trap to be positioned in the correct attitude, regardless of pipeline configuration.
3. Unique free float design eliminates concentrated wear ensuring long reliable life.
4. Three-point seating provides steam-tight seal even under no-load conditions.
5. Trap incorporates thermostatic air vent for fast start-up.
6. Two built-in screens with large surface area ensure extended trouble-free operation.



Specifications

Model		FS5		
Connection		Screwed*	Socket Welded	Flanged
Size		DN 15, 20, 25		
Orifice No.		5, 10, 21, 32		
Maximum Operating Pressure (barg)	PMO	5, 10, 21, 32		
Maximum Differential Pressure (bar)	ΔPMX	5, 10, 21, 32		
Maximum Operating Temperature (°C)	TMO	350		

PRESSURE SHELL DESIGN CONDITIONS (**NOT** OPERATING CONDITIONS): Maximum Allowable Pressure (barg) PMA: 32 1 bar = 0.1 MPa
Maximum Allowable Temperature (°C) TMA: 350



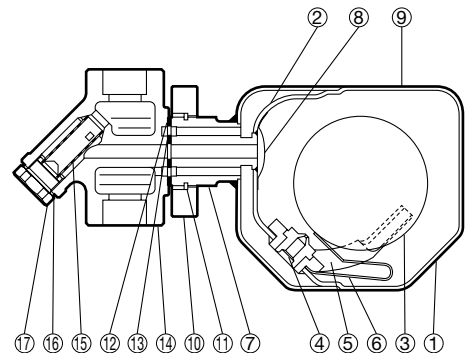
CAUTION

To avoid abnormal operation, accidents or serious injury, DO NOT use this product outside of the specification range. Local regulations may restrict the use of this product to below the conditions quoted.

No.	Description	Material	DIN	ASTM/AISI
①	Trap Body	Stainless Steel SUS316L	1.4404	AISI316L
②	Inner Cover	Stainless Steel SUS316L	1.4404	AISI316L
③	Float	Stainless Steel SUS316L	1.4404	AISI316L
④	Orifice	Stainless Steel SUS440C	1.4025	AISI440C
⑤	Float Guide	Cast Stainl. Stl. SCS16A	1.4435	A743 Gr. CF3M
⑥	Air Vent Strip	Bimetal	—	—
⑦	Connector Joint	Stainless Steel SUS304	1.4301	AISI304
⑧	Trap Screen	Stainless Steel SUS304	1.4301	AISI304
⑨	Name Plate	Stainless Steel SUS304	1.4301	AISI304
⑩	Connector Flange	Carbon Steel*** A105	1.0460	A105
⑪	Snap Ring	Carbon Steel*** SWRH57	1.0535	AISI1055
⑫	Outer Connector Gasket	Stainl. Steel/Graphite SUS304	1.4301	AISI304
⑬	Inner Connector Gasket	Stainl. Steel/Graphite SUS304	1.4301	AISI304
⑭	Connector Body	Cast Stainl. Stl. SCS13A	1.4312	A351 Gr. CF8
⑮	Screen outside/inside	Stainless Steel SUS430/304	1.4016/4301	AISI430/304
⑯	Holder Gasket	Stainless Steel SUS316L	1.4404	AISI316L
⑰	Screen Holder	Stainless Steel SUS303	1.4305	AISI303
⑱	Connector Bolt**	Alloy Steel SNB7***	1.7258	A193 Gr. B7
⑲	Flange (shown overleaf)	Cast Stainl. Stl:** SCS13A/ Stainless Steel** SUS304	1.4312/ 1.4301	A351 Gr. CF8/ AISI304

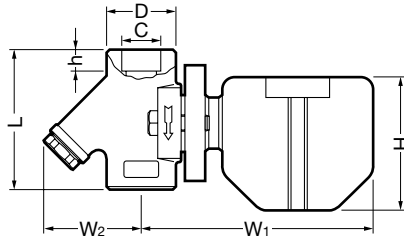
* Equivalent materials ** Material depends on flange specifications *** Option: Stainless steel

* Screwed connections are optional and require special installation procedures.



Dimensions

● **FS5**
Socket Welded

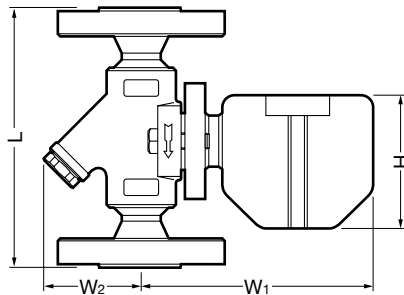


FS5 Socket Welded* (mm)

DN	L	φ H	W ₁	W ₂	φ D	φ C	h	Weight (kg)
15	80	104	172	56	37	21.70	12	2.1
20					44	33.80	14	
25	96							2.5

* ASME B16.11, other standards available

● **FS5**
Flanged



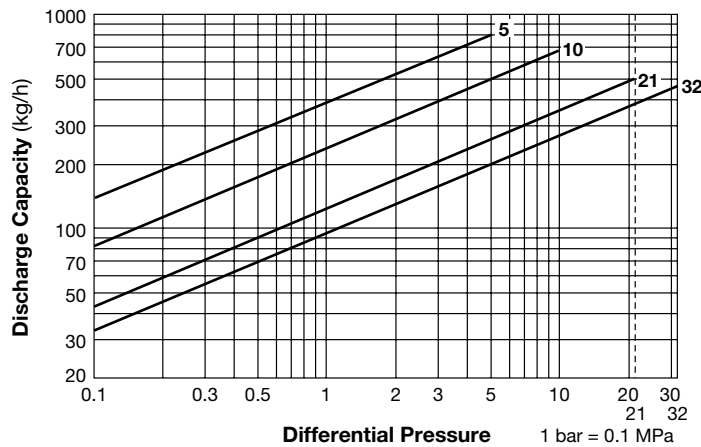
FS5 Flanged (mm)

DN	L				φ H	W ₁	W ₂	Weight* (kg)
	DIN 2501 PN25/40	ASME Class						
		150RF	300RF	600RF				
15	150	150	150	180	104	172	56	3.7
20								4.6
25	160	160	160	190				5.1

Other standards available, but length and weight may vary

* Weight is for DIN PN 25/40

Discharge Capacity



1. Line numbers within the graph refer to orifice numbers.
2. Differential pressure is the difference between the inlet and outlet pressure of the trap.
3. Capacities are based on continuous discharge of condensate 6 °C below saturated steam temperature.
4. Recommended safety factor: at least 1.5.



CAUTION DO NOT use traps under conditions that exceed maximum differential pressure as condensate back up will occur!

Manufacturer

TLV® CO., LTD.
Kakogawa, Japan

is approved by LRQA Ltd. to ISO 9001/14001

ISO 9001/ISO 14001

