



# FLANGELESS CHECK VALVE

## MODEL CKF3MG

### UNIQUE DISC TYPE CHECK VALVE WITH LOW PRESSURE DROP

#### Features

All stainless steel, compact check valve for steam, water and other fluids.

1. Fine-machined metal valve seat and center-guided disc provide tight closure and durability.
2. Stainless steel body and internal parts ensure long service life.
3. Easy repair and maintenance possible.
4. Performance assured with installation in either vertical or horizontal pipelines.
5. Can be simply installed between all major flange types without measuring instruments, concentric due to its unique body shape.
6. Low pressure drop due to large flow area.



#### Specifications

Model	CKF3MG
Connection	Between Flanges
Size	DN 65, 80, 100
Compatible Flange Standards	Shown on reverse
Maximum Operating Pressure (barg) PMO	30
Minimum Opening Differential Pressure (bar)	0.01
Maximum Operating Temperature (°C) TMO	350
Minimum Operating Temperature (°C)	-100*
Application	Steam, Water and other fluids**

\* Subject to limitations of freezing point of fluid \*\* Consult with TLV for toxic, flammable, or otherwise hazardous fluids

1 bar = 0.1 MPa

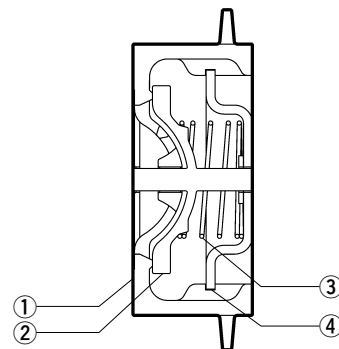
PRESSURE SHELL DESIGN CONDITIONS (NOT OPERATING CONDITIONS): Maximum Allowable Pressure (barg) PMA: 30  
Maximum Allowable Temperature (°C) TMA: 350



To avoid abnormal operation, accidents or serious injury, DO NOT use this product outside of the specification range. Local regulations may restrict the use of this product to below the conditions quoted.

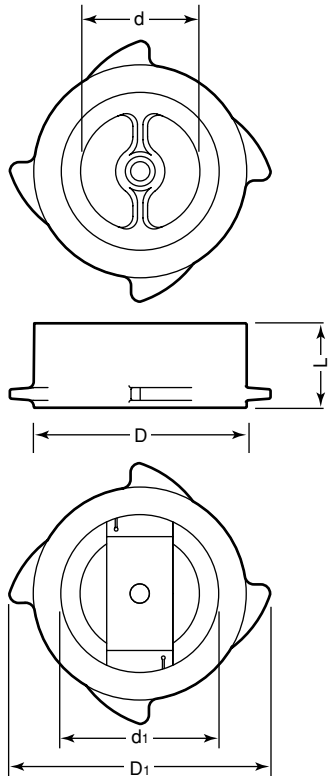
No.	Description	Material	DIN*	ASTM/AISI*
①	Body	Cast Stainless Steel A351 Gr. CF8	1.4312	—
②	Valve Disc	Cast Stainless Steel A351 Gr. CF8	1.4312	—
③	Coil Spring	Stainless Steel SUS304	1.4301	AISI304
④	Spring Holder	Stainless Steel SUS304	1.4301	AISI304

\* Equivalent



**Dimensions**

● **CKF3MG** Flangeless



**CKF3MG** Flangeless (mm)

DN	L	φ D	D <sub>1</sub>	φ d	φ d <sub>1</sub>	Weight (kg)
65	46	116	142	65	87	1.7
80	50	132	152	80	105	2.2
100	60	157	185	100	122	3.4

**Compatible Flange Standards**

DN	ASME, JPI	JIS	DIN	BS Table
65	125, 150, 250, 300	5, 10, 16, 20, 30K	PN 6, 10, 16, 25, 40	F, H, J
80		10, 16, 20, 30K		A, D, E, F, H, J
100			PN 10, 16, 25, 40	

**Cv Values**

DN	65	80	100
Kvs (DIN)	85	120	206
Cv (UK)	83	117	200
Cv (US)	100	140	240

Manufacturer

ISO 9001/ISO 14001

**TLV**® CO., LTD.  
Kakogawa, Japan

is approved by LRQA Ltd. to ISO 9001/14001

