



CHECK VALVE

MODEL CK3

DISC TYPE CHECK VALVE WITH LOW PRESSURE DROP

Features

Compact check valve for steam, air, water, and other gas or liquid services.

1. Fine machined metal, fluorine resin or nitrile rubber valve seats provide tight closure.
2. Stainless steel internal parts and stainless or corrosion resistant body materials guarantee long service life.
3. Performance assured with installation in either vertical or horizontal pipelines.
4. Simple construction eliminates problems.
5. Low pressure drop due to large flow area.



Specifications

Model	CK3M			CK3T			CK3R		
	Screwed								
Connection	Screwed								
Size (mm)	15-25	32-50	15-50	15-25	32-50	15-50	15-25	32-50	15-50
Body Material	Brass	Bronze	Stainless Steel	Brass	Bronze	Stainless Steel	Brass	Bronze	Stainless Steel
Valve Seat Material	Brass	Bronze	Stainless Steel	Fluorine Resin			Nitrile Rubber		
Max. Operating Pressure (MPaG) PMO	1.0		2.1	1.0		1.6	1.0		1.6
Max. Operating Temperature (°C) TMO	220			185			90		
Minimum Required Differential Pressure for Tight Sealing (MPa)	—			—			0.05		
Minimum Operating Temperature (°C)	-100*			-100*			-30*		
Minimum Opening Differential Pressure (MPa)	0.002								
Application	Steam & High Temperature Water						Gas**, Air, Hot & Cold Water		

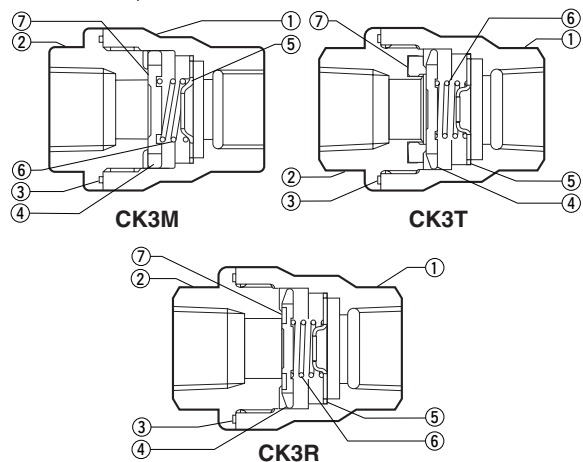
PRESSURE SHELL DESIGN CONDITIONS (**NOT** OPERATING CONDITIONS):
 Maximum Allowable Pressure (MPaG) PMA: 1.0 (Brass, Bronze), 2.1 (Stainless Steel)
 Maximum Allowable Temperature (°C) TMA: 220

1 MPa = 10.197 kg/cm²
 * Subject to limitations of freezing point of fluid
 ** Consult with TLV for hazardous or flammable fluids



To avoid abnormal operation, accidents or serious injury, DO NOT use this product outside of the specification range.
 Local regulations may restrict the use of this product to below the conditions quoted.

No.	Description	Material	JIS	ASTM/AISI*
①	Valve Body (15-25)	Brass	C3604	B16 C36000
	Valve Body (32-50)	Bronze	CAC406	B584 C83600
	Valve Body (15-50)	Cast Stainless Steel	SCS13	A351 Gr. CF-8
②	Inlet Union (15-25)	Brass	C3604	B16 C36000
	Inlet Union (32-50)	Bronze	CAC406	B584 C83600
	Inlet Union (15-50)	Cast Stainless Steel	SCS13	A351 Gr. CF-8
③	Union Gasket	Fluorine Resin	PTFE	PTFE
④	Valve Disc (15-25)	Stainless Steel	SUS304	AISI304
	Valve Disc (32-50)	Cast Stainless Steel	SCS13	A351 Gr. CF-8
⑤	Spring Holder	Stainless Steel	SUS304	AISI304
⑥	Coil Spring	Stainless Steel	SUS304	AISI304
⑦	Valve Seat (CK3T)	Fluorine Resin	PTFE	PTFE
	Valve Seat (CK3R)	Nitrile Rubber	NBR	D2000BF
⑦	Valve Seat (CK3M 15-25)	Brass	C3604	B16 C36000
	Valve Seat (CK3M 32-50)	Bronze	CAC406	B584 C83600
	Valve Seat (CK3M 15-50)	Cast Stainless Steel	SCS13	A351 Gr. CF-8



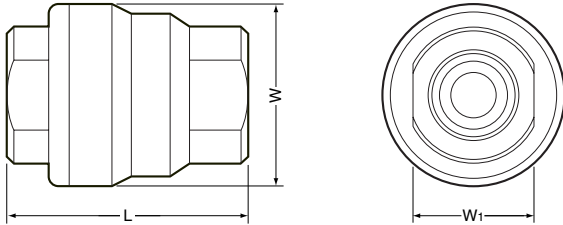
* Equivalent

Dimensions

● **CK3M/CK3T/CK3R** Screwed

CK3M/CK3T/CK3R Screwed* (mm)

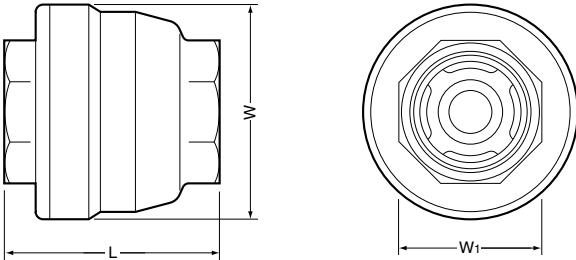
Size 15-25



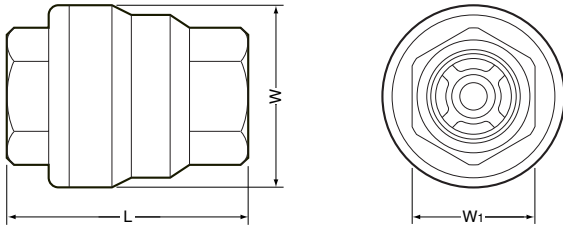
Size	L	ϕ W	W ₁	Weight (kg)
15	55	40	27	0.3
20	60	50	32	0.5
25	70	60	41	0.8
32	80	75	50	1.3
40	85	85	55	1.6
50	100	95	70	2.2

* Rc(PT), other standards available

Size 32-50



Stainless size 15-50



Cv Values

Size (mm)	15	20	25	32	40	50
Cv (US)	3.7	6.6	10	15	21	29
Cv (UK)	3.1	5.5	8.3	13	17	24
Kvs (DIN)	3.2	5.7	8.6	13	18	25

Manufacturer

ISO 9001/ISO 14001

TLV® CO., LTD.
Kakogawa, Japan

is approved by LRQA Ltd. to ISO 9001/14001

