



# GLAND SEALED GLOBE VALVE

## ASV-Series

### Features

**Two-port globe valves available in cast iron, ductile cast iron or cast steel.**

1. Solid spindle and plug made of stainless steel.
2. High-quality gland packing and gland fixture with flap-type screws.
3. Stem burnished.
4. Spindle with rolled thread.
5. Favourable zeta values also for small diameters.
6. Asbestos-free.
7. Throttling plug available as option.



### Specifications

Model	ASV12.006	ASV23.006	ASV35.006
Body Material	GG-25	GGG-40.3	GS-C25 N
Connection*, Pressure Rating	Flanged DIN 2501 PN 16	Flanged DIN 2501 PN 25	Flanged DIN 2501 PN 40
Size/DN**	DN 15, 20, 25, 32, 40, 50, 65, 80, 100, 125, 150		
Maximum Working Temperature (°C)	300	350	400

\* Other connections available \*\* Larger sizes available

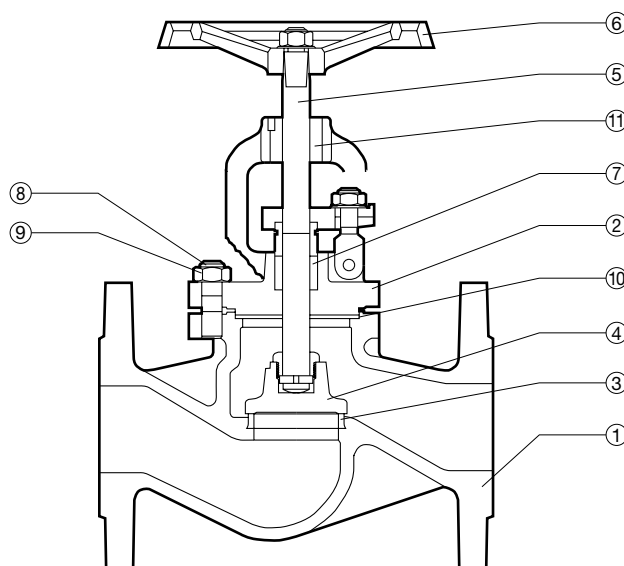
1 bar = 0.1 MPa



To avoid abnormal operation, accidents or serious injury, DO NOT use products outside of the specification range. Local regulations may restrict the use of this product to below the conditions quoted.

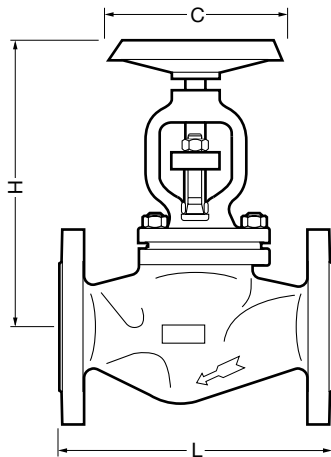
No.	Description	Material	DIN
①	Body (ASV12.006)	Cast Iron	0.6025
	Body (ASV23.006)	Ductile Cast Iron	0.7043
	Body (ASV35.006)	Cast Steel	1.0619
②	Bonnet (ASV12.006)	Cast Iron	0.6025
	Bonnet (ASV23.006)	Ductile Cast Iron	0.7043
	Bonnet (ASV35.006)	Cast Steel	1.0460*
③	Seat Ring	Stainless Steel	1.4021
④	Plug	Stainless Steel	1.4502
⑤	Spindle	Stainless Steel	1.4021
⑥	Handwheel	Cast Iron	0.6025
⑦	Gland Packing	All-graphite	—
⑧	Stud Bolt	Alloy Steel	1.1181
⑨	Hexagon Nut	Alloy Steel	1.0501
⑩	Seal	Stainl. St./Graphite	1.4301
⑪	Threaded Bushing	Brass	2.0401

\* DN 80 and above: 1.0619



**Dimensions, Weights**

- ASV12.006 PN16
- ASV23.006 PN25
- ASV35.006 PN40
- Flanged



**ASV Flanged\*** (mm)

DN	L	H	φ C	Weight (kg)		
				12.006	23.006	35.006
15	130	180	120	3.5	3.9	4.4
20	150	180	120	4.0	4.3	5.4
25	160	190	140	5.0	5.4	6.3
32	180	190	140	6.0	7.5	7.0
40	200	225	160	8.5	10.0	10.5
50	230	235	160	10.0	12.0	13.8
65	290	265	180	15.0	18.4	21.0
80	310	290	200	22.0	23.0	27.5
100	350	345	225	32.0	39.0	40.5
125	400	375	250	48.0	58.5	61.0
150**	480	465	300	74.0	78.0	88.5

\* DIN 2501 PN 16, 25, 40 \*\* Larger sizes available

**Kv-Values**

DN	15	20	25	32	40	50	65	80	100	125	150
Kvs (DIN)	4.2	7.4	12	19	30	47	77	120	188	288	410
Cv (UK)	4.1	7.2	11.6	18	29	46	75	117	182	280	398
Cv (US)	4.9	8.6	14	22	35	55	90	140	219	336	478

**TLV EURO ENGINEERING U.K.**

Priory Lodge London Road  
 Cheltenham, Glos, GL52 6HQ  
 Tel: 01242-221180 Fax: 01242-221055

Manufacturer:  
 ARI ARMATUREN