



THERMODYNE STEAM TRAP

MODEL A46S FORGED STEEL

THERMODYNAMIC DISC TRAP WITH THERMOSTATIC AIR VENTING

Features

Inline repairable trap of weldable carbon steel for steam mains, tracers and coils.

1. Hardened stainless steel working surfaces.
2. Air-jacketing reduces no-load cycling and extends service life.
3. Lapped disc provides steam-tight seal without air binding.
4. Built-in, easy-to-clean screen.
5. Air vent ring provides quick thermostatic air venting.
6. Inline replaceable valve module.



Specifications

Model		A46S		
Connection		Screwed	Socket Welded	Flanged
Size		1/2", 3/4", 1"	DN 15, 20, 25	
Maximum Operating Pressure (barg)	PMO	46		
Minimum Operating Pressure (barg)		0.3		
Maximum Operating Temperature (°C)	TMO	400		
Maximum Back Pressure		80% of Inlet Pressure		

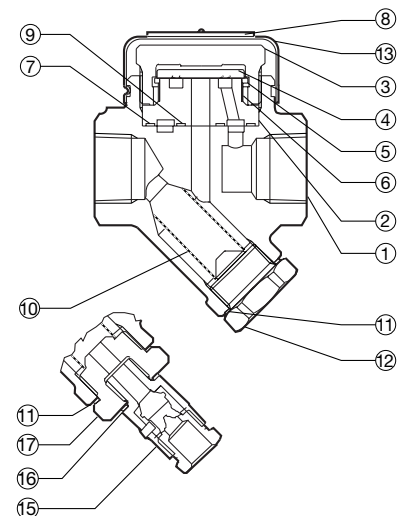
PRESSURE SHELL DESIGN CONDITIONS (**NOT** OPERATING CONDITIONS): Maximum Allowable Pressure (barg) PMA: 65 1 bar = 0.1 MPa
Maximum Allowable Temperature (°C) TMA: 400



To avoid abnormal operation, accidents or serious injury, DO NOT use this product outside of the specification range. Local regulations may restrict the use of this product to below the conditions quoted.

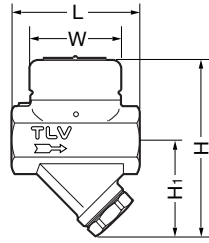
No.	Description	Material	DIN*	ASTM/AISI*
①	Body	Forged Steel C22.8	1.0460	A105
② ^R	Module Valve Seat	Stainless Steel SUS420F	1.4028	AISI420F
③ ^R	Inner Cover	Stainless Steel SUS420F2	—	AISI420F2
④ ^R	Disc	Stainless Steel SUS420J2	1.4031	AISI420
⑤ ^R	Disc Holder Ring	Stainless Steel SUS420J2	1.4031	AISI420
⑥ ^R	Air Vent Ring	Bimetal	—	—
⑦ ^{RM}	Outer Module Gasket	Stainl. Stl. SUS316L/Graphite	1.4404	AISI316L
⑧	Nameplate	Stainless Steel SUS304	1.4301	AISI304
⑨ ^{RM}	Inner Module Gasket	Stainl. Stl. SUS316L/Graphite	1.4404	AISI316L
⑩ ^R	Screen inner/outer	Stainless Steel SUS304/430	1.4301/4016	AISI304/430
⑪ ^{RM}	Screen Holder Gasket	Soft Iron SUYP	1.1121	AISI1010
⑫	Screen Holder	Carbon Steel A105	1.0460	—
⑬	Cap	Stainless Steel SUS304	1.4301	AISI304
⑭	Flange***	Forged Steel C22.8	1.0460	A105
⑮	Blow-off Valve BO2**	Stainless Steel SUS420F	1.4028	AISI420F
⑯	Blow-off Valve Gasket***	Soft Iron SUYP	1.1121	AISI1010
⑰	Screen Holder for BO2**	Carbon Steel A105	1.0460	—

* Equivalent materials ** Option *** Shown overleaf
Replacement Kits available : (M) maintenance parts, (R) repair parts



Dimensions

● **A46S**
Screwed

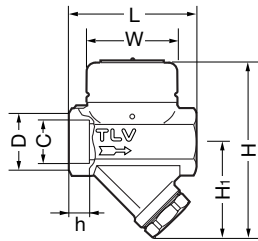


A46S Screwed* (mm)

Size	L	H**	H1**	φW	Weight (kg)
1/2"	80	112	62	57,5	1.2
3/4"					
1"	88	117			1.4

* BSP, DIN 2999, other standards available
** With BO2 add 22 mm to H and H₁

● **A46S**
Socket Welded

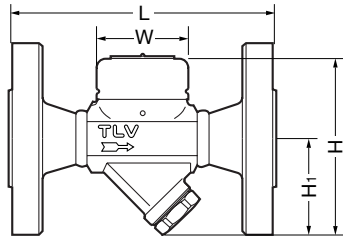


A46S Socket Welded* (mm)

DN	L	H**	H1**	φW	φD	φC	h	Weight (kg)
15	80	112	62	57,5	30	21,70	13	1.2
20					36	27,05		
25	88	117			44	33,80		1.4

* ASME B16.11, other standards available
** With BO2 add 22 mm to H and H₁

● **A46S**
Flanged

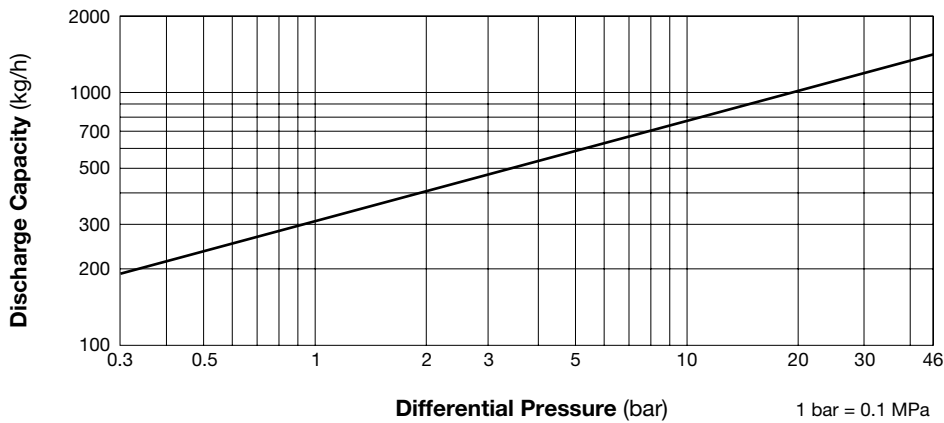


A46S Flanged (mm)

DN	L				H**	H1**	φW	Weight* (kg)
	DIN 2501	ASME Class						
	PN25/40	150RF	300RF	600RF				
15	150	140	140	140	112	62	57,5	2.7
20		165	165	165				3.7
25	160	210	210	210				5.0

Other standards available, but length and weight may vary
** Weight is for DIN PN 25/40 ** With BO2 add 22 mm to H and H₁

Discharge Capacity



1. Differential pressure is the difference between the inlet and outlet pressure of the trap.
2. Recommended safety factor: at least 2.

Manufacturer

TLV® CO., LTD.
Kakogawa, Japan

is approved by LRQA Ltd. to ISO 9001/14001

ISO 9001/ISO 14001

